



PARAVAN Swivel Seat

User Manual

User Manual/Swivel Seat V1.1_E



PARAVAN Swivel Seat User Manual

For getting into your vehicle comfortably and safely

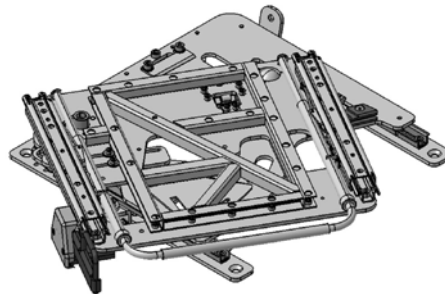
1. Introduction

You have chosen a PARAVAN swivel seat. Thank you for placing your trust in us.

As usual you are purchasing a product which Paravan manufactured, and which it developed to meet the needs of handicapped persons. Our products are distinguished by their stability, quality and the proven modular system.

The PARAVAN swivel seat can be used in almost all vehicles. Furthermore, it is possible to mount different seat models on it.

The PARAVAN swivel seat models are of TÜV-tested quality "**Made in Germany**" and they have been successfully crash-tested in compliance with ECE-R 17 and 74/408/EEC. In addition they also possess a DAR registration no. KBA – P 00013-01.

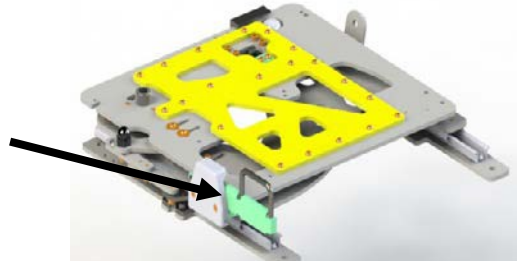


2. The different models

Article no.:	Article name:
PSC 05545/05546 electric	PSC electric left/right manual with cable remote control
PSC 05547/05548 manual	PSC electric left/right rotating with cable remote control
PSC 05578/05579 electric	PSC electric left/right rotating with radio remote control
PSC 05549/05550 with stand-up aid	PSC electric left/right rotating with stand-up aid and cable remote control
PSC 05580/05581 with stand-up aid	PSC electric left/right rotating with stand-up aid and radio remote control
PSC 05986 footrest	PSC seat rails with footrest
PSC 6229 without footrest	PSC seat rails without footrest
PSC 5118 ESA/ELA	PSC electrical seat adjustment/electrical seat adjustment, lengthwise

2.1. Standard models

Paravan swivel seat console, manual.
Operated by hand by means of a lever.



Paravan swivel seat console, manual
outward-turning.



All Paravan swivel-seat consoles are available for rotating outwards to the left or the right.

Paravan swivel seat console, electric.
Operated by remote control.



Paravan swivel seat console, electric
outward-turning.



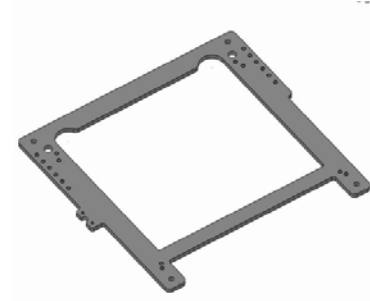
All Paravan swivel-seat consoles are available for rotating outwards to the left or the right.

2.2. The different models and options

Paravan swivel seat console with stand-up aid.
The stand-up aid is adaptable in all the seat consoles.



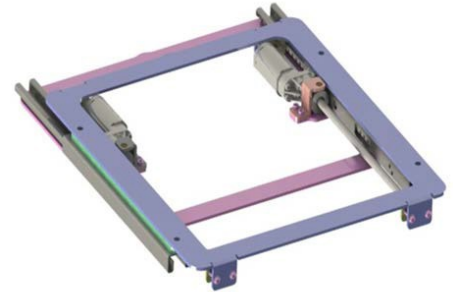
Vehicle-specific built-in console for the Paravan swivel-seat console.



Paravan footrest.
Seat adjustment rail with and without integrated footrest.



Paravan electrical seat adjustment with integrated footrest.



Electrical double lengthwise adjustment.
Horizontal seat adjustment in vehicle and vertical outside the vehicle.



The one-way electrical seat adjustment.

Can be optionally built-into our Paravan seat collection: The electrical seat adjustment. You move your seat forwards and backwards electrically (horizontally in the vehicle) by pushing a button, bringing yourself into a new, comfortable position.

The two-way electrical seat adjustment.

With the two-way seat adjustment the seat not only moves forwards and backwards horizontally, it also does so in the swivelled-out position (vertically out of the vehicle).

Paravan sports and comfortable, convenient seat for the Paravan swivel-seat console. Please choose from our extensive range of seats.



Examples of colour samples

Special colours and customised cover materials if desired. Seats with integrated armrests, electrical armrest adjustment, electrical lordosis adjustment and seat heating can be provided. Ask our qualified sales consultants.

3. Control elements

Paravan swivel-seat console, manual, controlled by means of a handle.



Paravan swivel-seat console, electric; can be operated by means of cable remote control.



Paravan swivel-seat console, electric; can be controlled by means of radio remote control.

The input command will be programmed individually on the keypad.



3.1. Operating the manual swivel-seat console

The manual swivel seat is easy to operate with just a few manipulations!



CAUTION!!! The unit must always be guided to the final stop of the respective final position.



1. You release a lever at the side of the swivel seat by hand. Then you pull the seat outwards. This releases the entire swivel seat from the anchorage.
2. The seat area is then swivelled to the outside with the aid of the lever. The seat is swivelled until it has taken up the right position and snapped back into place in the anchorage.
3. Swivelling inwards functions according to the same principle as turning outwards, but in reverse order.

3.2. Operating the electric swivel-seat console

Paravan's electric swivel-seat console is very easy to operate via cable or radio remote control. To move the unit in the respective direction, press the appropriate control button on the remote control.

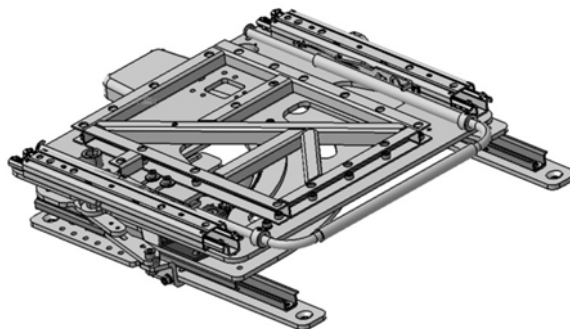


CAUTION!!! The unit must always be guided to the final stop of the respective final position. The unit moves as long as the control button is being pressed. If there is a power failure, by activating the emergency release by hand the unit can be brought into the final position. How to handle this is described further down (refer to item 3.4 "Emergency release" from page 17 on).



Cable remote control:

Control by means of the upper row of buttons.



Paravan swivel seat console, electric:

In all the different models.



Radio remote control

3.3. Control of the integrated stand-up function

The electric stand-up aid can only be controlled when the swivel-seat console has been rotated out of the vehicle. It can be controlled via cable or radio remote control.

To move the unit in the respective direction, press the appropriate control button on the remote control.



CAUTION!!! The unit must always be guided to the final stop of the respective final position. The unit moves as long as the control button is being pressed.

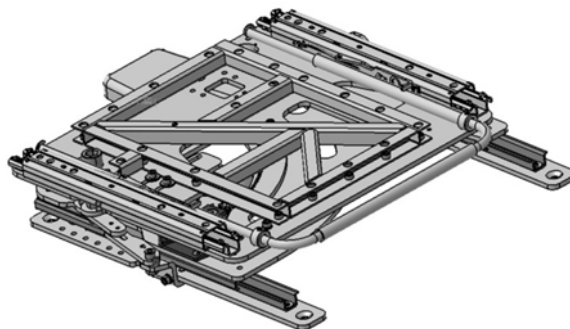
If there is a power failure, by activating the emergency release by hand the unit can be brought into the final position (default position in vehicle). Handling is described on the next page (refer to item 3.4 "Emergency release" from page 17 on).

However, the stand-up aid cannot be moved back to the default position with the help of the emergency release. For this purpose contact an authorized service center.



Cable remote control:

Control by means of the lower row of buttons.



Paravan swivel seat console, electric:

In all the different models.



Radio remote control

3.4. Operating the emergency release

How to proceed:

Turn the handle of the "Emergency Release", which is accessible from below and marked in orange, counter clockwise and remove it. Then move the motor down until the drive can move freely. Turn the seat unit inwards into the vehicle; position the motor again and tighten the screw.



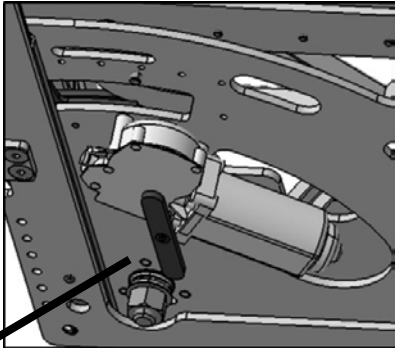
CAUTION!!!

When driving off, the "Emergency release" handle and the motor must be fixed back in the original position.

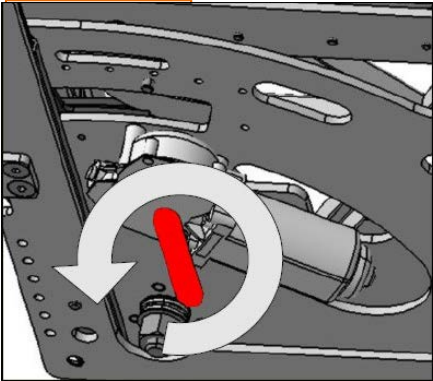
If the stand-up aid fails to function, please make sure you call on the service center!

View from below:

Emergency release lever on the drive motor, marked in orange.



Base frame of the Paravan swivel seat console, view from below.



3.5. Operating the emergency release with the optional stand-up aid






If the electric rotating seat has the optional stand-up aid there is an additional emergency release.




Using a hexagonal Allen key the two Allen screws marked in red can be released and the stand-up aid, which is in an upward position, can be moved back down by hand.






After using the manual emergency release you must go to an appropriate specialist workshop!

4. Technical data of the standard models + options

Dimensions and weights	Seat console, manual 	Seat console, electric 	The swivel seat with stand-up function 
Length x width x height	493 x 522 x 56 mm	493 x 522 x 56 mm	493 x 522 x 56 mm
Weight of the console	20kg	21kg	21kg
Angle of rotation	120°	120°	120°
Stand-up angle			60°
Voltage	0V	12V	12V

Dimensions and weights	Seat console, manual 	Seat console, electric 	The swivel seat with stand-up function 
Max. power consumption in amperes	0A	10A	10A
Tested load-bearing capacity	160 kg	160 kg	Approx. 120 kg
Optional electrical lengthwise adjustment	240mm (forwards/backwards, horizontal in the vehicle)	240mm (forwards/backwards, horizontal in the vehicle)	240mm (forwards/backwards, horizontal in the vehicle)
Optional electrical lengthwise adjustment	240mm (forwards/backwards, in the rotated position)	240mm (forwards/backwards, in the rotated position)	240 mm (forwards/backwards, in the rotated position)

Dimensions and weights	Seat console, manual 	Seat console, electric 	The swivel seat with stand-up function 
Weight of footrest	3.5kg	3.5kg	3.5 kg



5. Hazard warnings

- Please pay attention to warning stickers.
- Do not bring any objects into the area with moving parts.
- Do not reach into the range of motion of the moving parts.
- Do not use protective covers.
- Do not activate the swivel seat console while driving.
- Always secure the electric console exclusively according to the technical specifications. Do not exceed the safety settings!

6. Care and maintenance instructions

- Clean the surface of the console with a damp cloth from time to time.
- If noise generation increases, please have the guide rails cleaned and lubricated in an authorized service center.
- Clean the seat with a damp cloth or with the help of a foam cleaner for upholstery.

7. Troubleshooting

Fault description	Cause	Solution
Console non-functional	Battery flat	Charge battery
The following cases must be handled in a workshop:		
	Cable or plug-in connections interrupted	Check lines and plug-in connections
	Overload or weight is too high (max. 160 kg)	Check fuse
	Motor defective	Replace motor
Radio remote control non-functional	LED on remote control does not light up	Replace battery

Fault description	Cause	Solution
The following cases must be handled in a workshop:		
Radio remote control non-functional	Receiver section of radio remote control is defective	Replace receiver
	Cable or plug-in connections interrupted	Check flat-pin plugs, lines and plug-in connections
	LED on remote control shines constantly	Switch in the remote control is caught up
The following cases must be handled in a workshop:		
Cable remote control non-functional	Cable or plug-in connections interrupted	Check flat-pin plugs, lines and plug-in connections
	Spiral cable of cable remote control broken/squashed	Renew spiral cable in control unit
	Only one function button	Renew spiral cable in control unit

Fault description	Cause	Solution
Cable remote control non-functional	Only one function button	Replace relay
	Relay defective	Replace relay
The following cases must be handled in a workshop:		
Impossible / only difficult to release swivel console (manual console)	Jammed	Bring the seat into another position with the help of the seat adjustment (load change)
		Lubricate mechanical sliding components (dirt and dust resistant)
	Bowden cable ripped	Replace Bowden cable
	Bowden cable too long	Adjust Bowden cable

Fault description	Cause	Solution
The following cases must be handled in a workshop:		
Noises during rotation	Sprocket leapfrogs the teeth of the sprocket wheel	Wing bolt of the emergency release not tightened
Irregular or slow movement	Dirt in rails and sliding surfaces	Clean rails and sliding surfaces
		Lubricate mechanical sliding components (dirt and dust resistant)
	Sprockets/teeth broken out	Replace sprocket / sprocket wheel
Seat console wobbles	Rotating plate has not moved to the final stop	Rotating plate for driving position must always move to stop
The following cases must be handled in a workshop:		
	Screws not tight	Tighten screw connections

Fault description	Cause	Solution
	Final stop loosened	Adjust final stop and tighten screw (Loctite!)
Stand-up aid non-functional	Foreign body fallen in and jammed	Remove foreign body / clean up under the seat area
The following cases must be handled in a workshop:		
	Cable or plug-in connections interrupted	Check lines and plug-in connections
	Limit switch defective	Replace limit switch
	Spindle broken	Replace spindle

Electric seat console (ESA)		
Fault description	Cause	Solution
Console non-functional	Battery flat	Charge battery
	Foreign body lodged in and jammed	Remove foreign body
The following cases must be handled in a workshop:		
	Cable or plug-in connections interrupted	Check lines and plug-in connections
	Overload or weight is too high (max. 160 kg)	Check fuse
	Motor defective	Replace motor
	Limit switch defective	Replace limit switch
	Spindle broken	Replace spindle

Fault description	Cause	Solution
ESA running with difficulty / slowly	Jammed / soiled	Lubricate mechanical sliding components (dirt and dust resistant)
	Screw connection loose	Tighten screws
	Battery too weak	Charge battery
Noises when driving	Spindle soiled	Clean spindle
		Lubricate spindle (dirt and dust resistant)
The following cases must be handled in a workshop:		
Noises when driving	Dirt in rails and sliding surfaces	Clean rails and sliding surfaces

Fault description	Cause	Solution
Noises when driving		Lubricate sliding components
The following cases must be handled in a workshop:		
Seat console wobbles	Screws not tight	Tighten screw connections (Loctite!)

Table of Contents

1. Introduction	1
2. The different models	2
2.1. Standard models	3
2.2. The different models and options	5
3. Control elements	10
3.1. Operating the manual swivel-seat console	12
3.2. Operating the electric swivel-seat console	13
3.3. Control of the integrated stand-up function	15
3.4. Operating the emergency release	17
3.5. Operating the Emergency release with the optional stand-up aid	19
4. Technical data of the standard models + options	20
5. Hazard warnings	23
6. Care instructions	24
7. Troubleshooting	25



PARAVAN[®].de
BEHINDERTENGERECHTE FAHRZEUGUMBAUTEN



PARAVAN GmbH

PARAVAN Str. 5-10
D-72539 Pfronstetten-Aichelau
Germany

Tel: +49 (0)7388 - 99 95 60
Fax: +49 (0)7388 - 99 95 999
Web: www.PARAVAN.de
Mail: info@PARAVAN.de

